

# FA-300

## FLOOR DOOR 300 lb./sqft loading

### Application

- Designed for interior and exterior applications where watertightness is not required

### Product Features FA-300

- Angle frame construction with integral anchor flange is designed to be cast into concrete
- Retrofit frame design is available when unit is bolted into existing opening
- Diamond plate door panel is equipped with a flush aluminum drop handle and an automatic hold open arm

### FA-300 Floor Door Specifications:

**Material:** Aluminum door and frame; stainless steel hinges and hardware

**Door:** 1/4" aluminum diamond plate reinforced for live load of 300 lb./sq. ft.

**Frame:** Angle frame fabricated from aluminum extrusion with an integral 1" anchor flange

**Hinge:** Stainless steel butt hinges with tamperproof stainless steel bolts & nuts

**Opening Device:** Automatic hold open arm with red vinyl grip allows door panel to open to 90°, locking door in open position, and allowing for easy control when closing door panel.

When required, stainless steel compression springs can be provided to add lift assistance.

**Standard Latch:** Flush aluminum drop handle with staple for padlock.

**Optional:** Recessed padlock provision: st/stl slamlock

**Finish:** Mill finish, with optional bituminous coating on exterior of frame



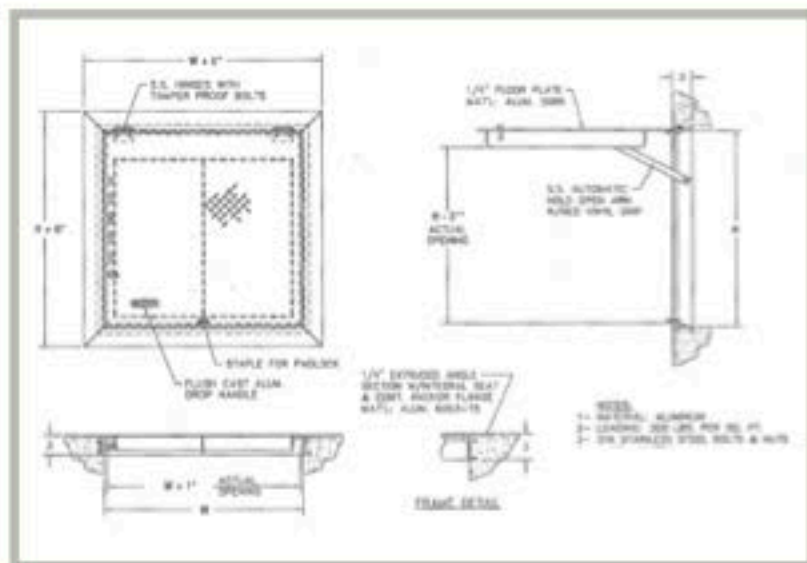
### FA-300 STANDARD SIZES

(other sizes available upon request)

Nominal Door Size W&H		Weight per Door	
inches	mm	lbs.	kg.
24 x 24	610 x 610	40	18.2
24 x 30	610 x 762	50	22.7
24 x 36	610 x 914	55	25
30 x 30	762 x 762	55	25
30 x 48	762 x 1220	80	36.4
36 x 36	914 x 914	75	34
36 x 48	914 x 1220	90	41
42 x 42	1067 x 1067	95	43.1
48 x 48*	1220 x 1220	120	54.5
48 x 72*	1220 x 1829	165	74.9
60 x 60*	1524 x 1524	170	77.2

\* Double Leaf

For detailed specifications see submittal sheet





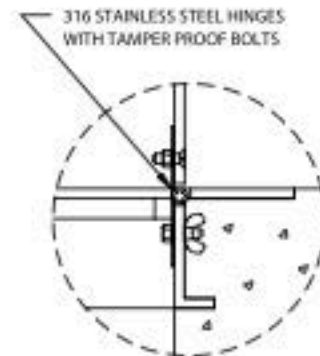
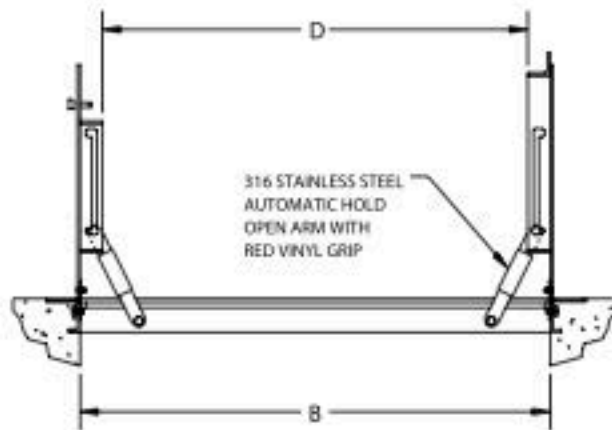
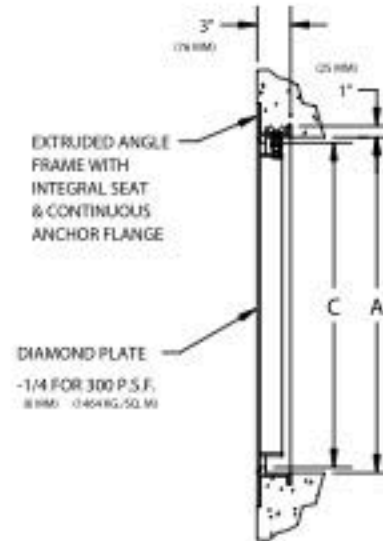
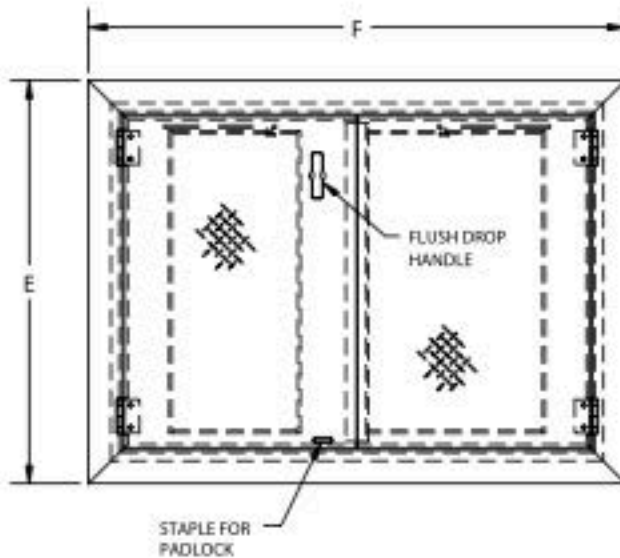
**ACUDOR**

www.acudor.com  
 U.S.A.: info@acudor.com / 800.722.0501  
 CANADA: info@acudor.ca / 844.228.3671  
 INTERNATIONAL: info@acudorintl.com  
 905.428.2240

**FA-300**

**ANGLE FRAME FLOOR DOOR  
 DOUBLE LEAF**

NOMINAL DOOR SIZE	FRAME OPENING		CLEAR OPENING		OVERALL SIZE		WEIGHT
	A in. (mm)	B in. (mm)	C in. (mm)	D in. (mm)	E in. (mm)	F in. (mm)	
48 x 48 (1219 x 1219)	48 (1219)	48 (1219)	47 (1194)	41 (1041)	54 (1372)	54 (1372)	123 (56)
48 x 72 (1219 x 1829)	48 (1219)	72 (1829)	47 (1194)	65 (1651)	54 (1372)	78 (1981)	170 (77)
60 x 60 (1524 x 1524)	60 (1524)	60 (1524)	59 (1499)	54 (1372)	66 (1676)	66 (1676)	177 (80)



NOTE:  
 -MATERIAL: ALUMINUM WITH 316 STAINLESS STEEL NUTS & BOLTS, HINGES, AND HOLD OPEN ARM.  
 -LOADING: 300 LBS. PER SQ. FOOT. (1464 KG. PER SQ. M)

OPTIONAL FEATURES
<input type="checkbox"/> S.S. HORIZONTAL SPRINGS
<input type="checkbox"/> S.S. SLAMLOCK
<input type="checkbox"/> BITUMINOUS PAINT ON AREA IN CONTACT WITH CONCRETE
<input type="checkbox"/> OTHERS: _____

JOB NAME:  
 CUSTOMER:

APPROVED BY:  
 DATE: