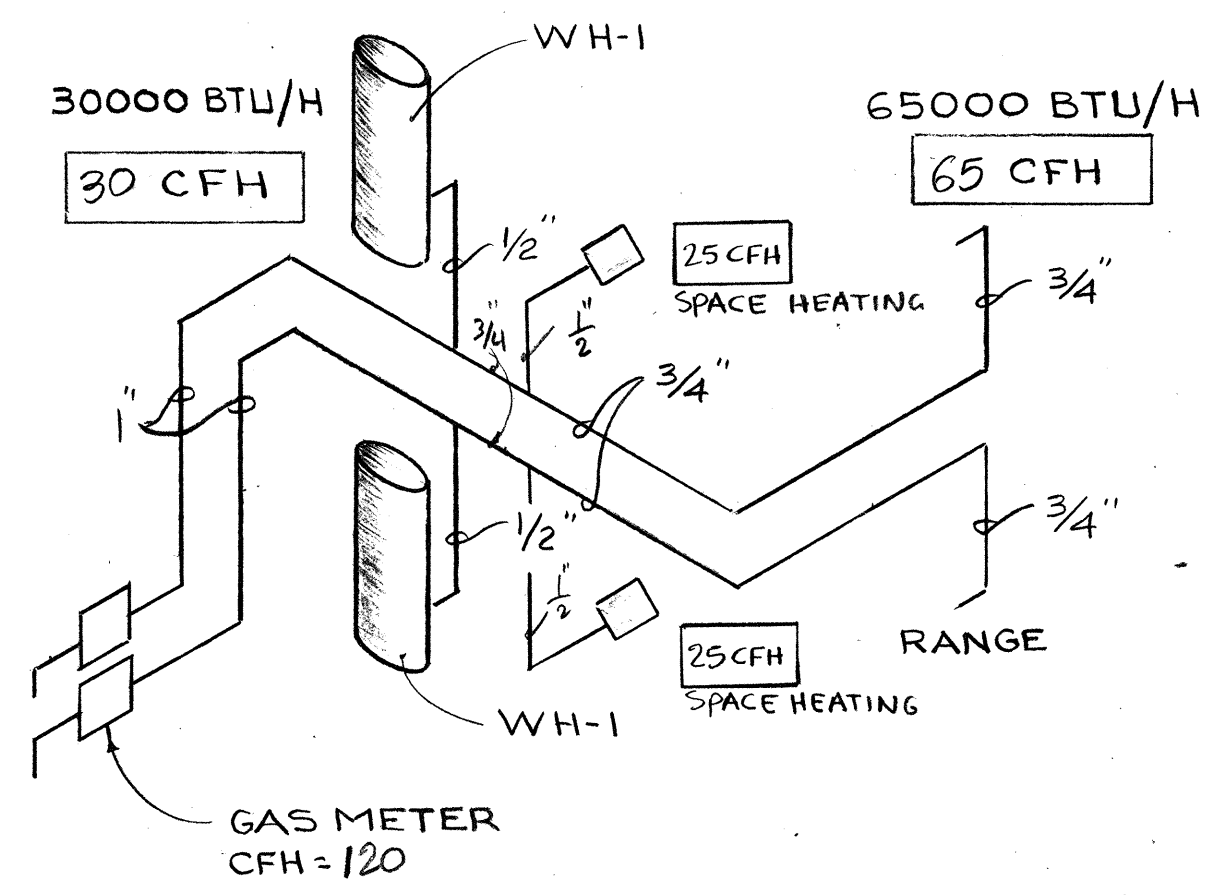
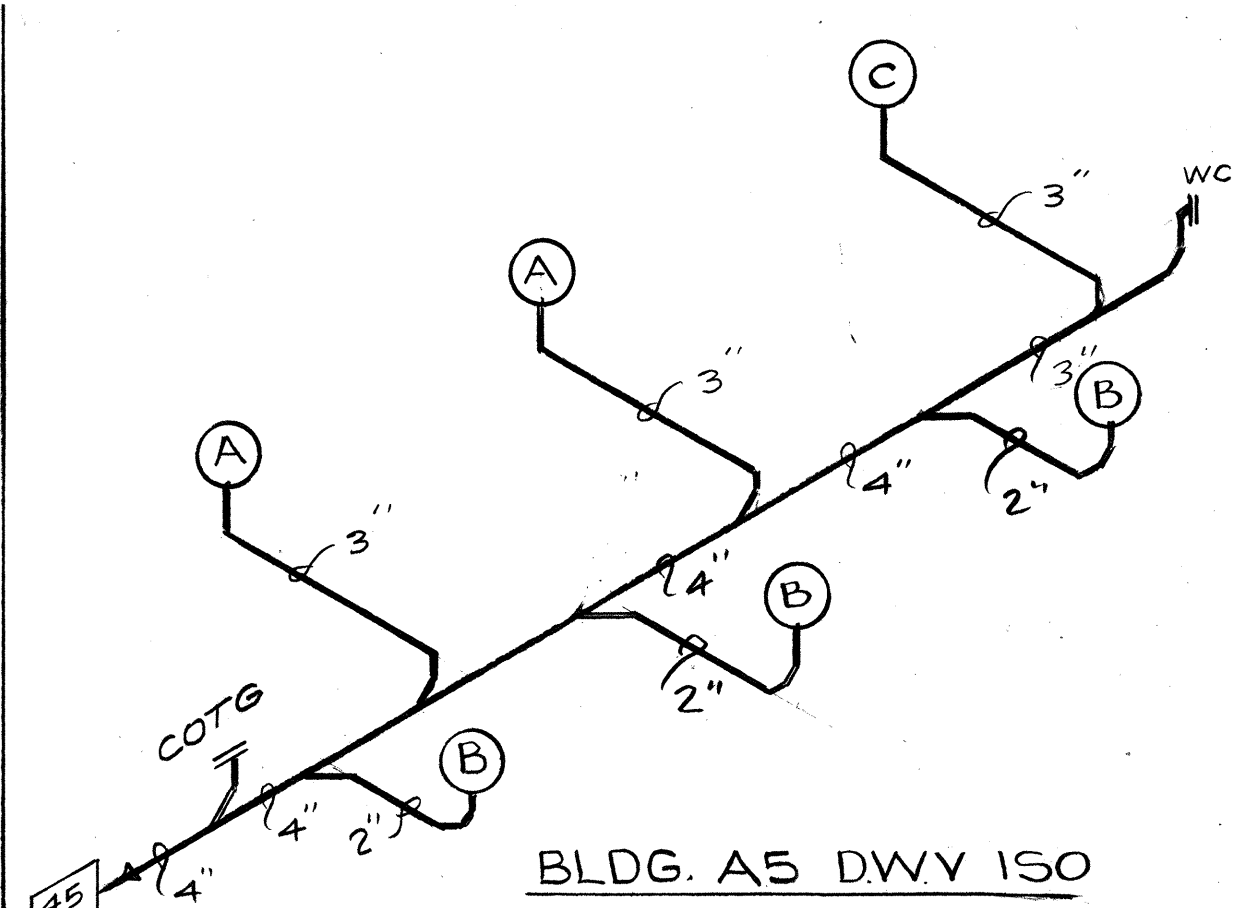


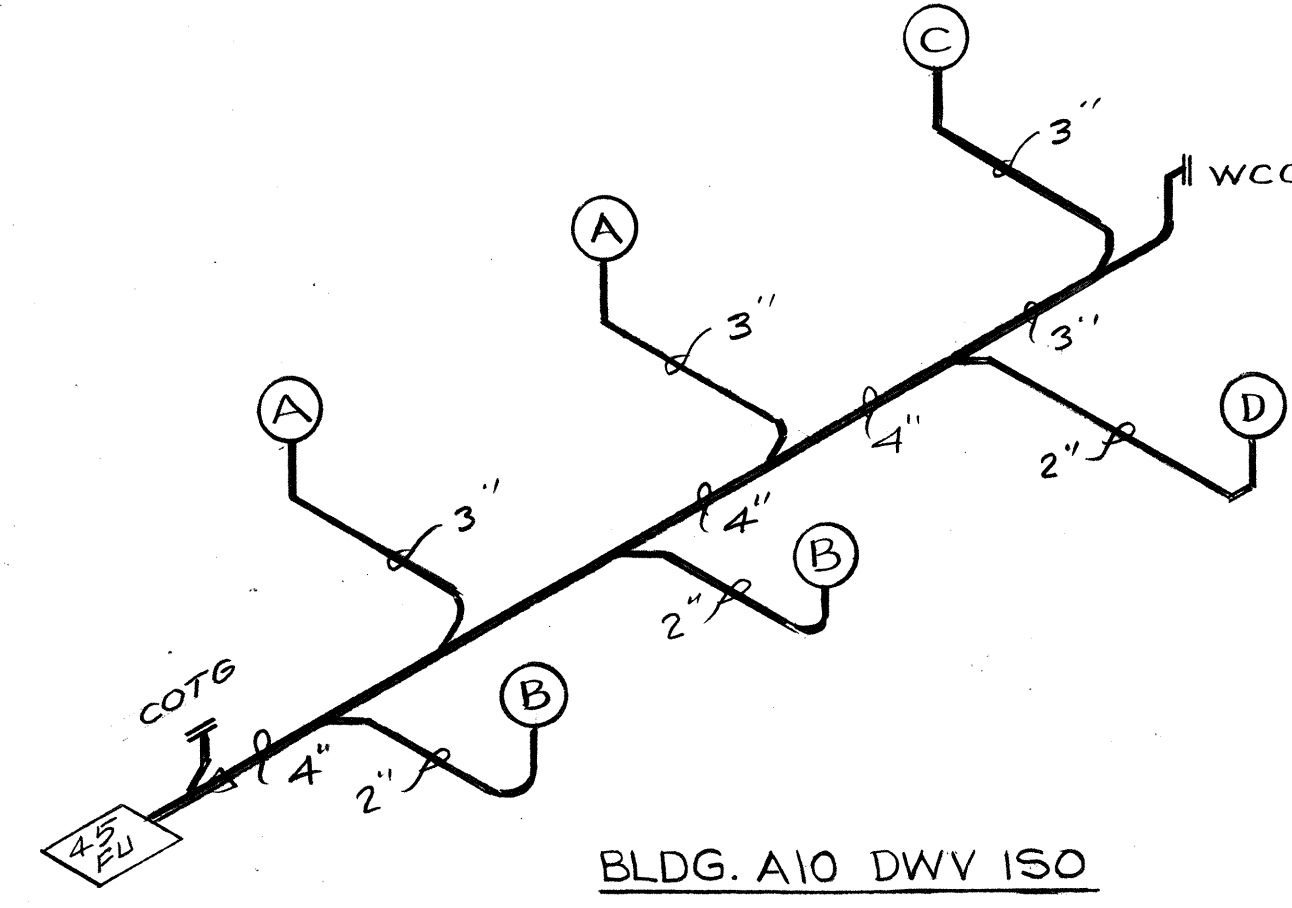
MAX. DISTANCE = 80



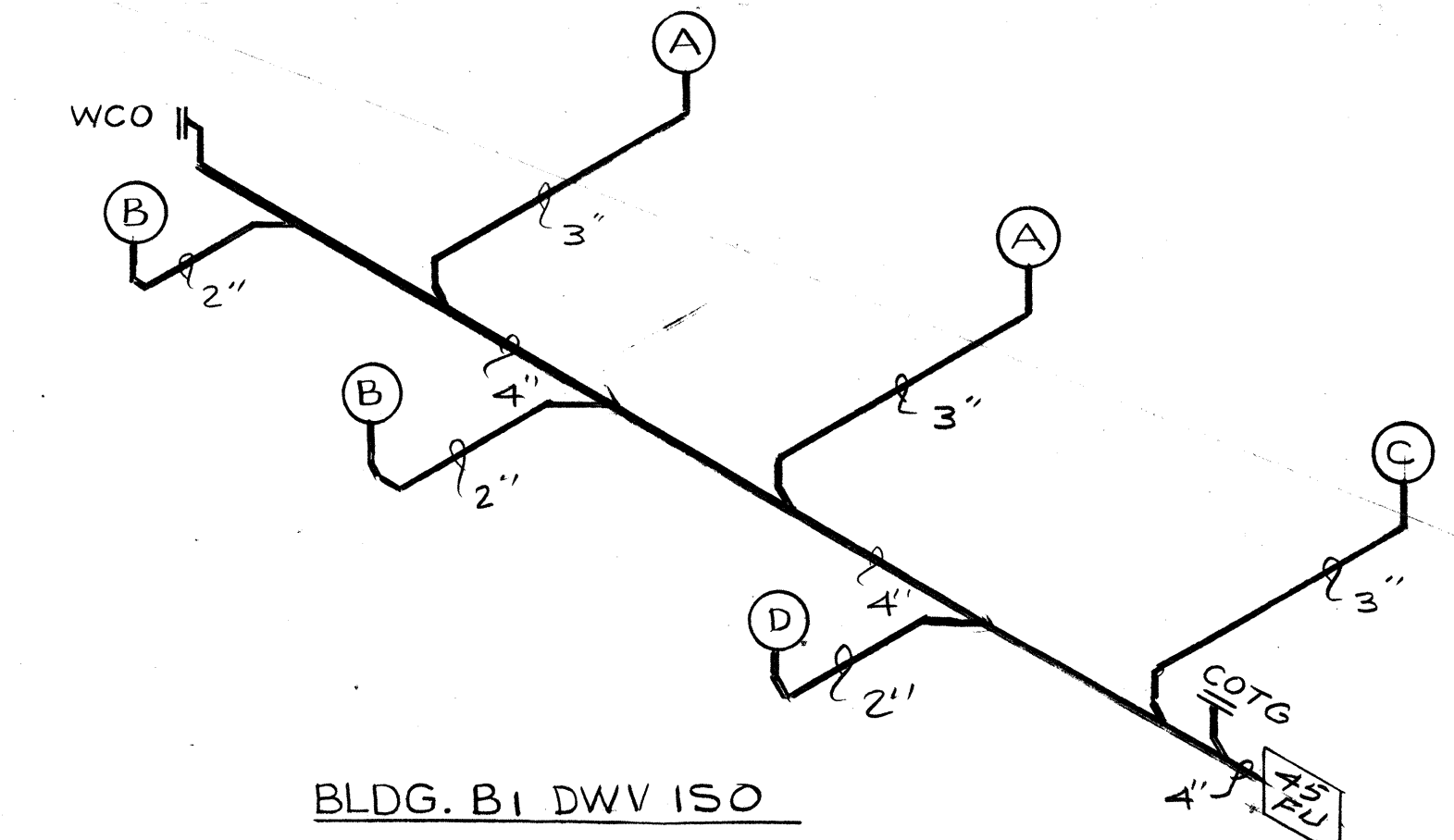
TYPICAL UNIT GAS PIPING DIAGRAM



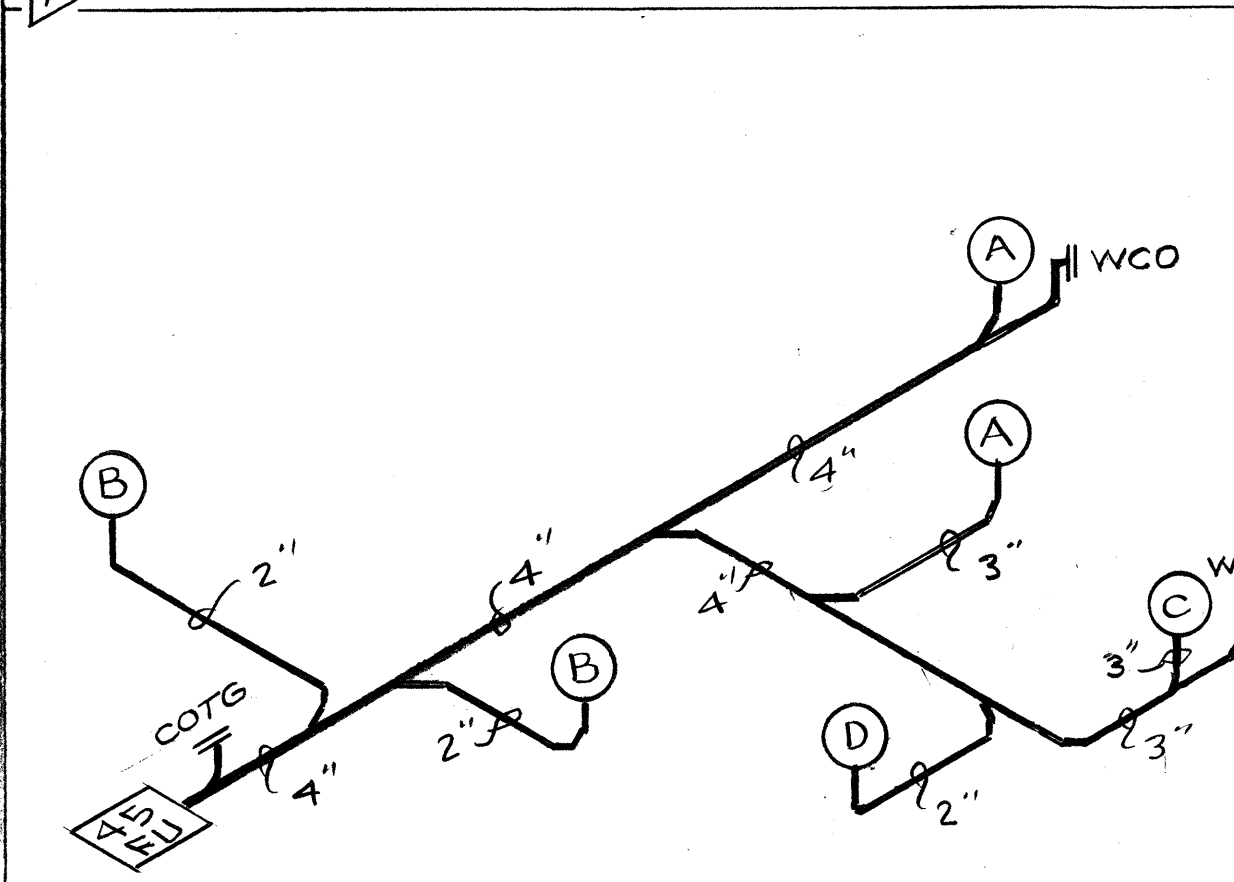
BLDG. A5 DWV ISO



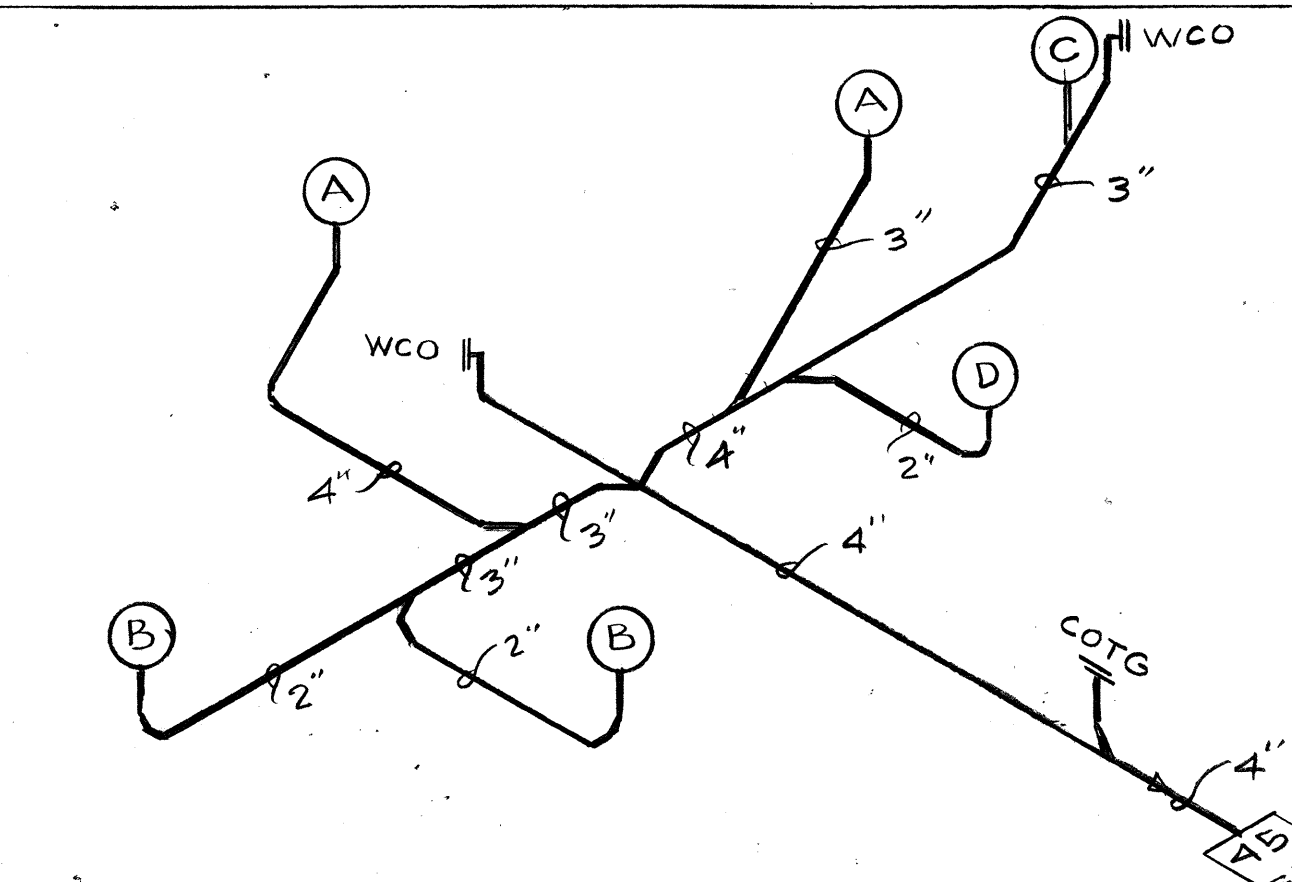
BLDG. A10 DWV ISO



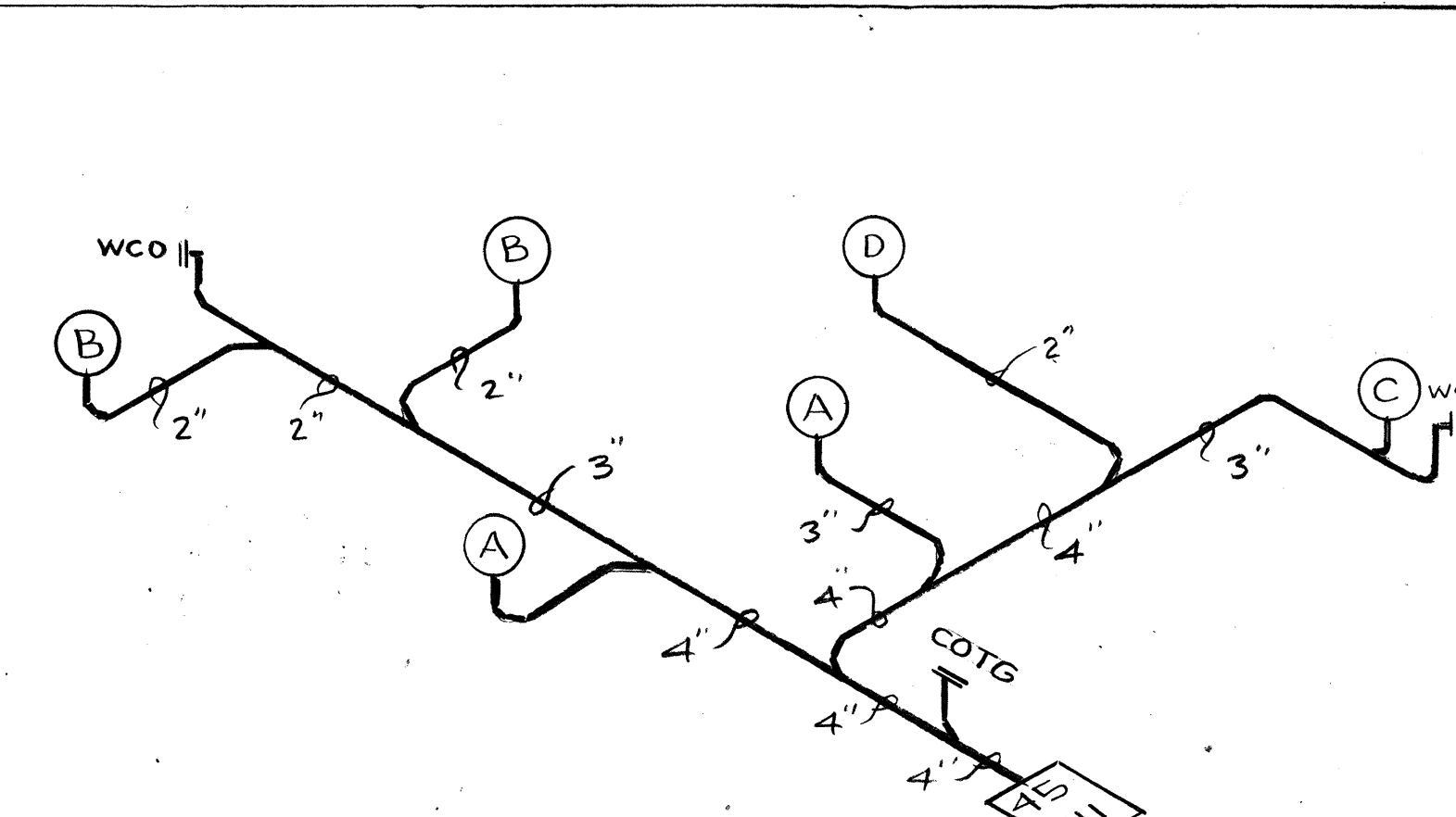
BLDG. B1 DWV ISO



BLDG. B2 DWV ISO

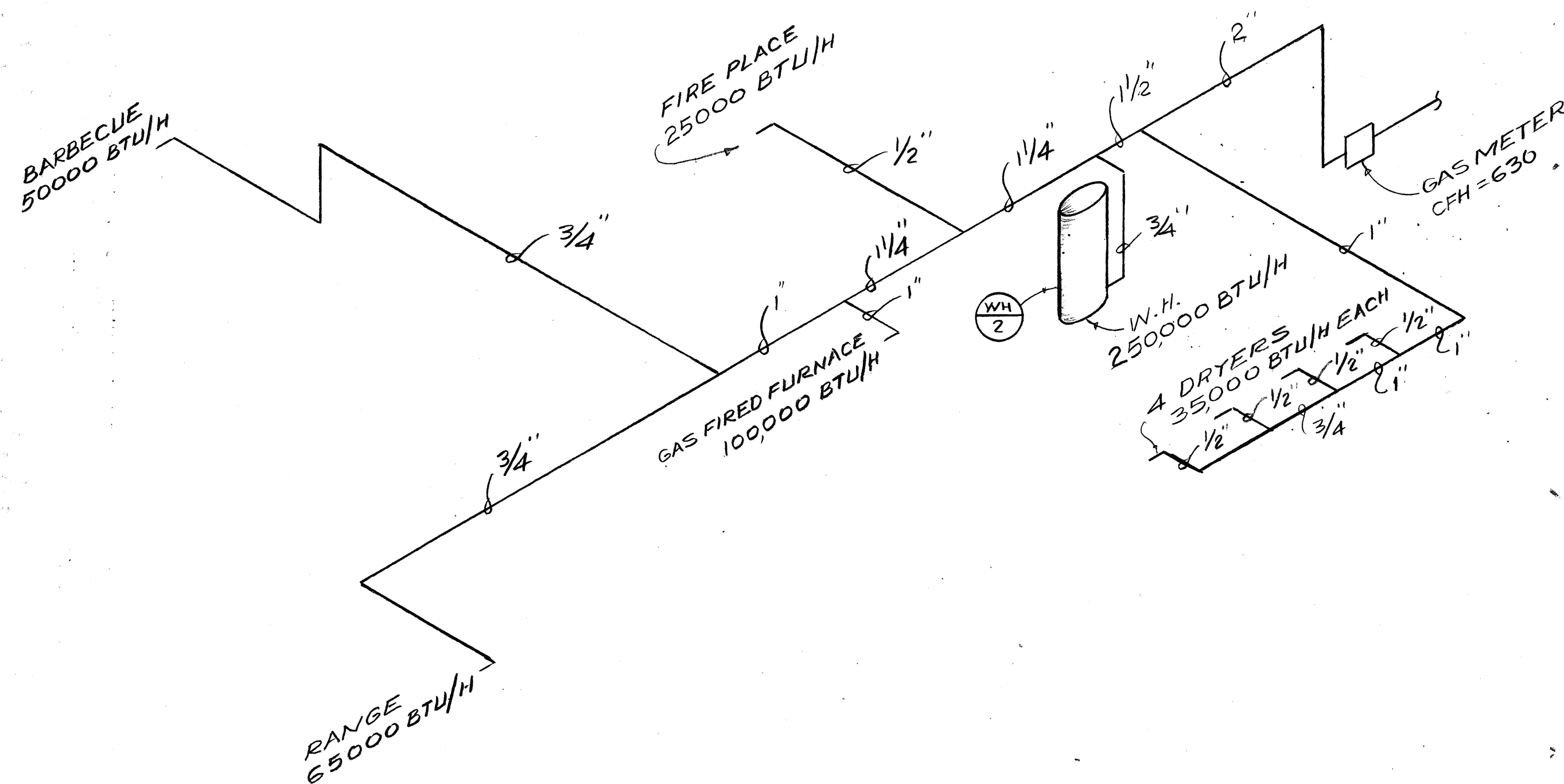


BLDG. B6 DWV ISO

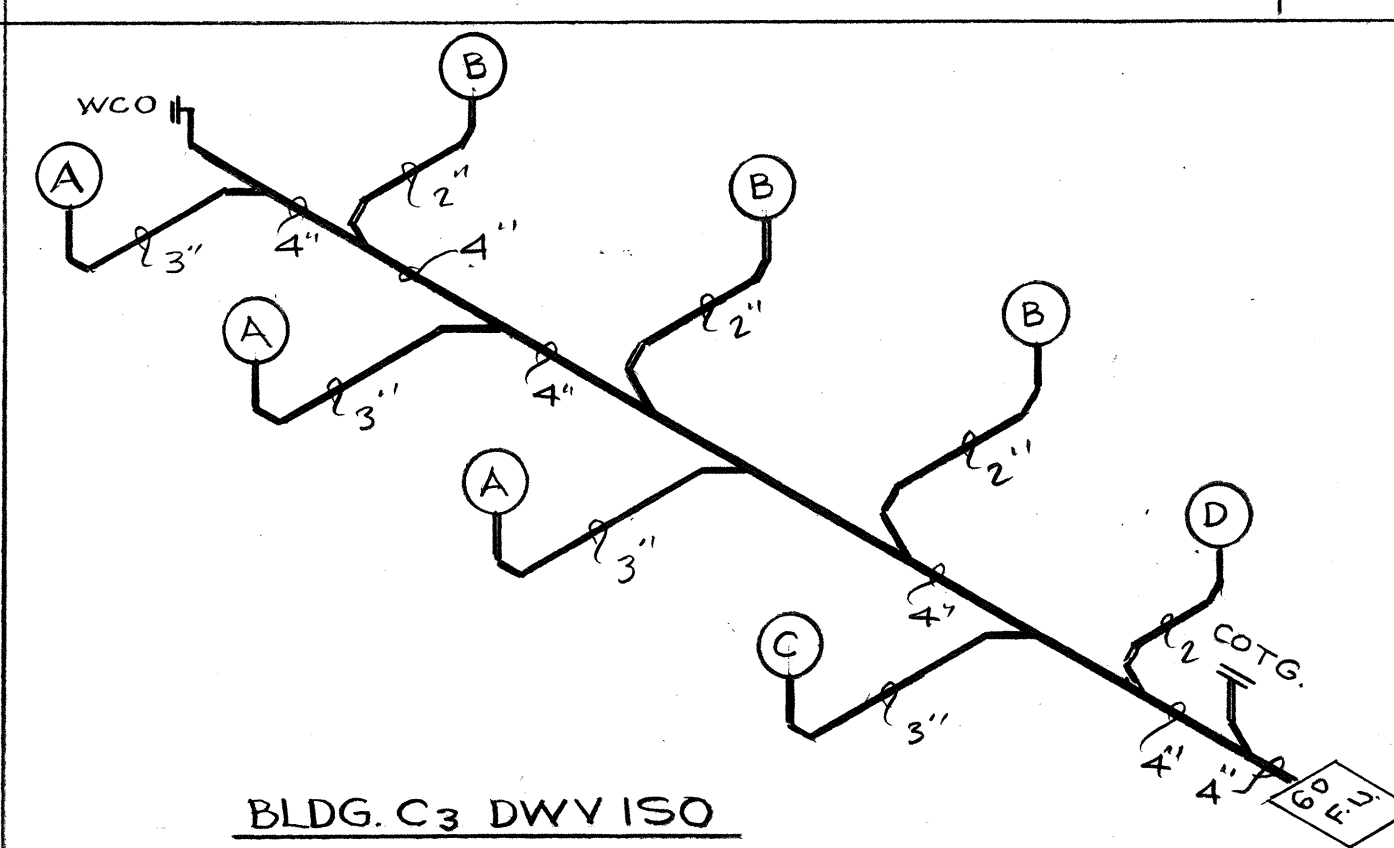


BLDG. B9 DWV ISO

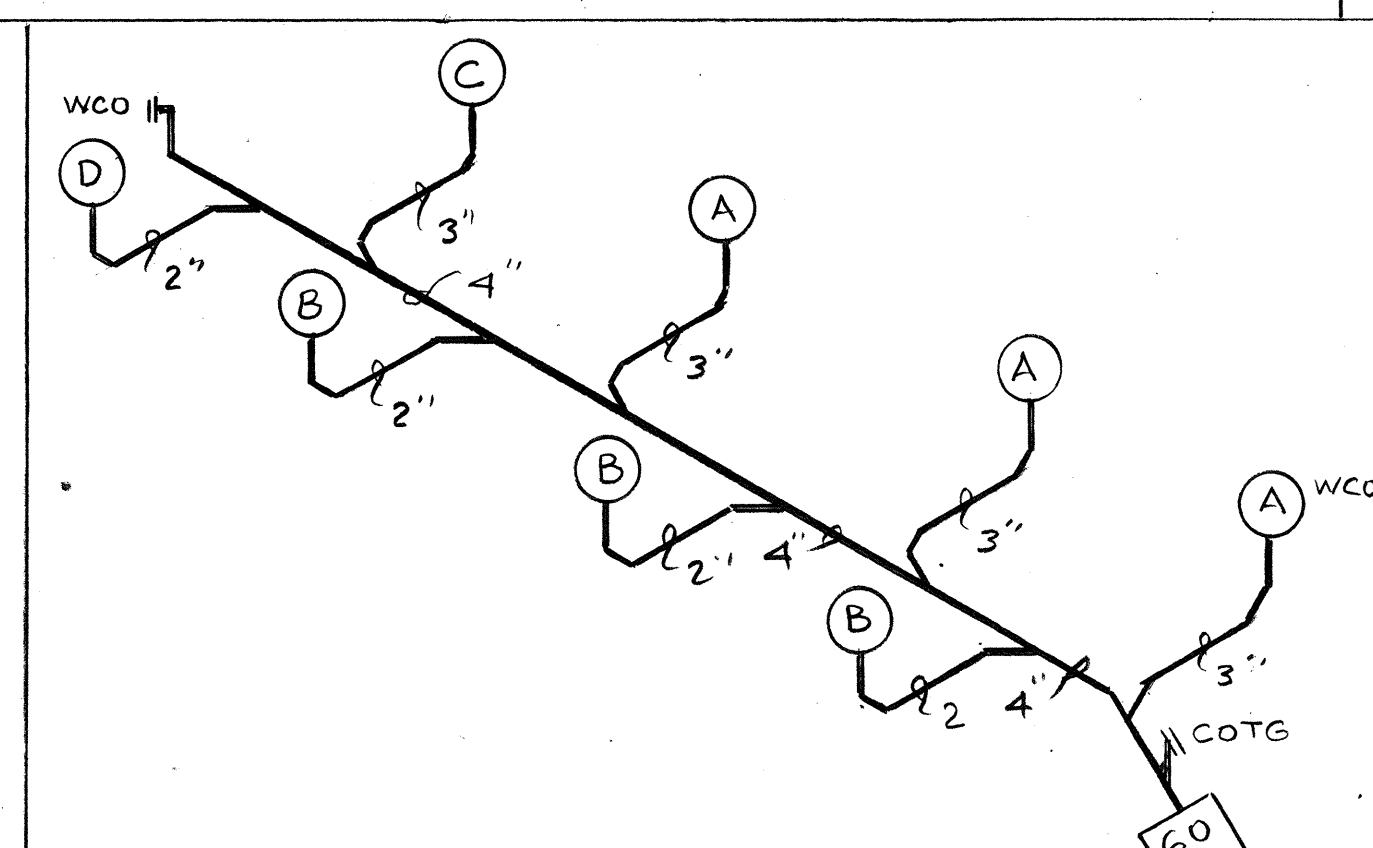
MAX. DEV. LENGTH = 100'



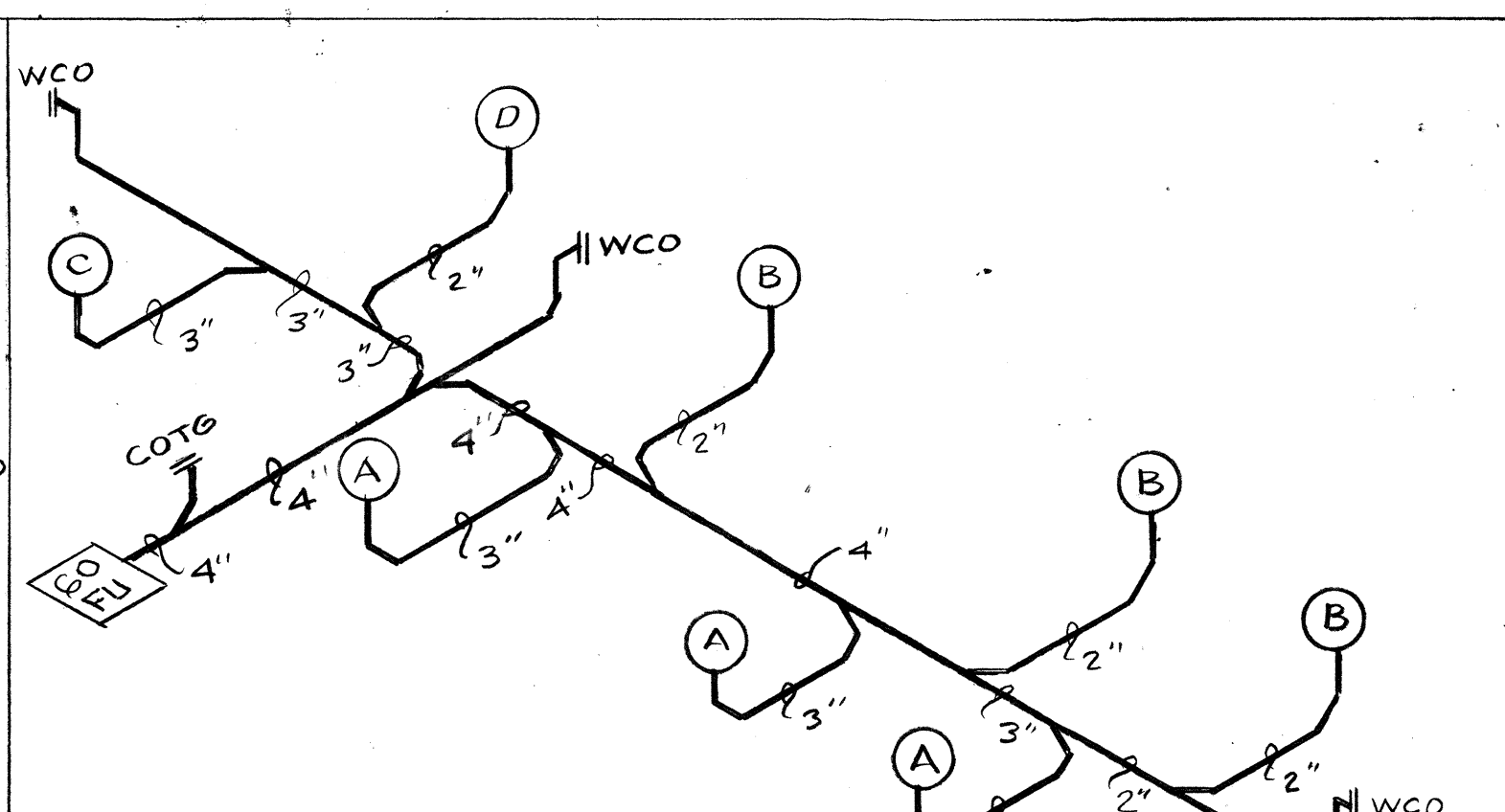
MULTI-PURPOSE BUILDING GAS PIPING DIAGRAM.



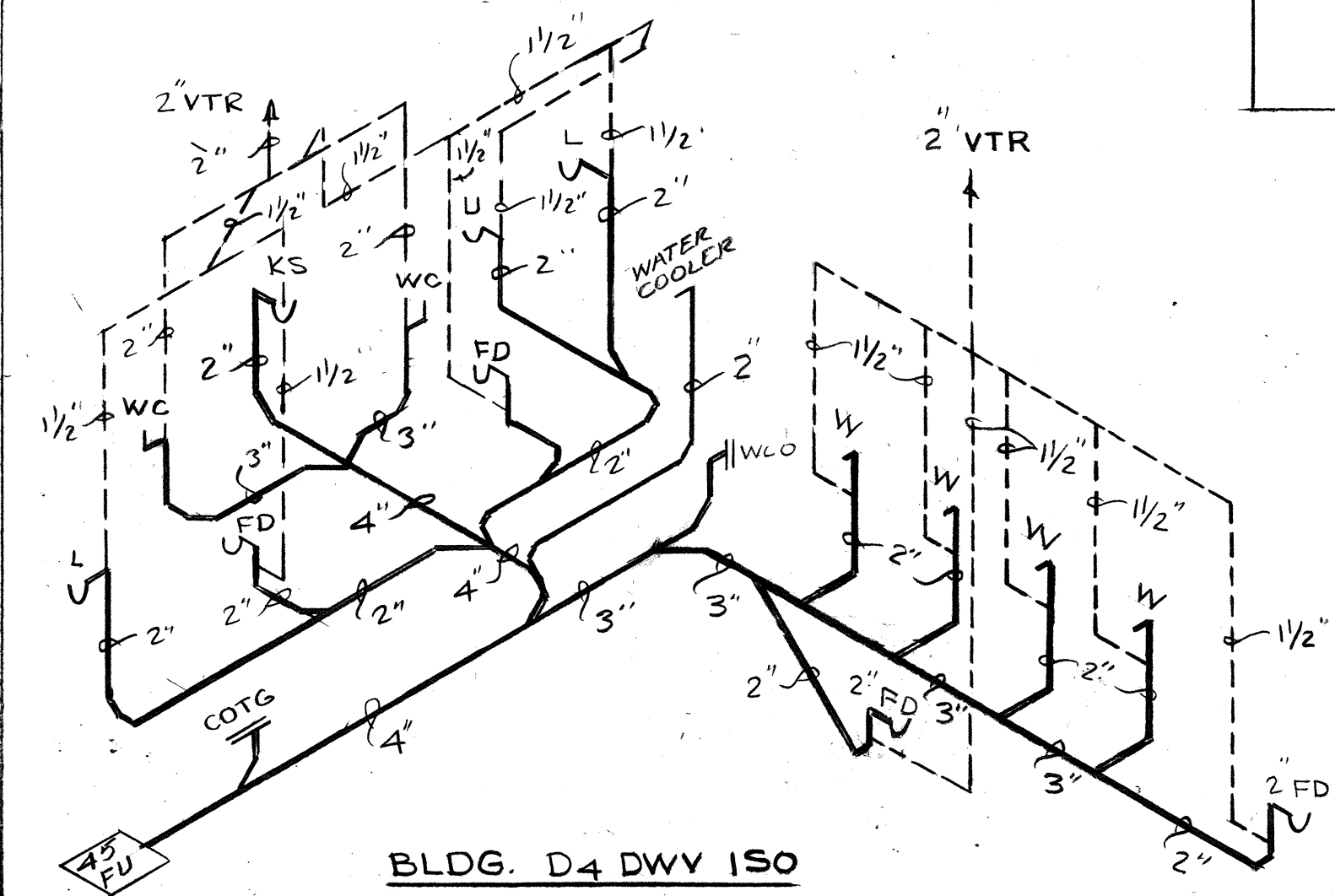
BLDG. C3 DWV ISO



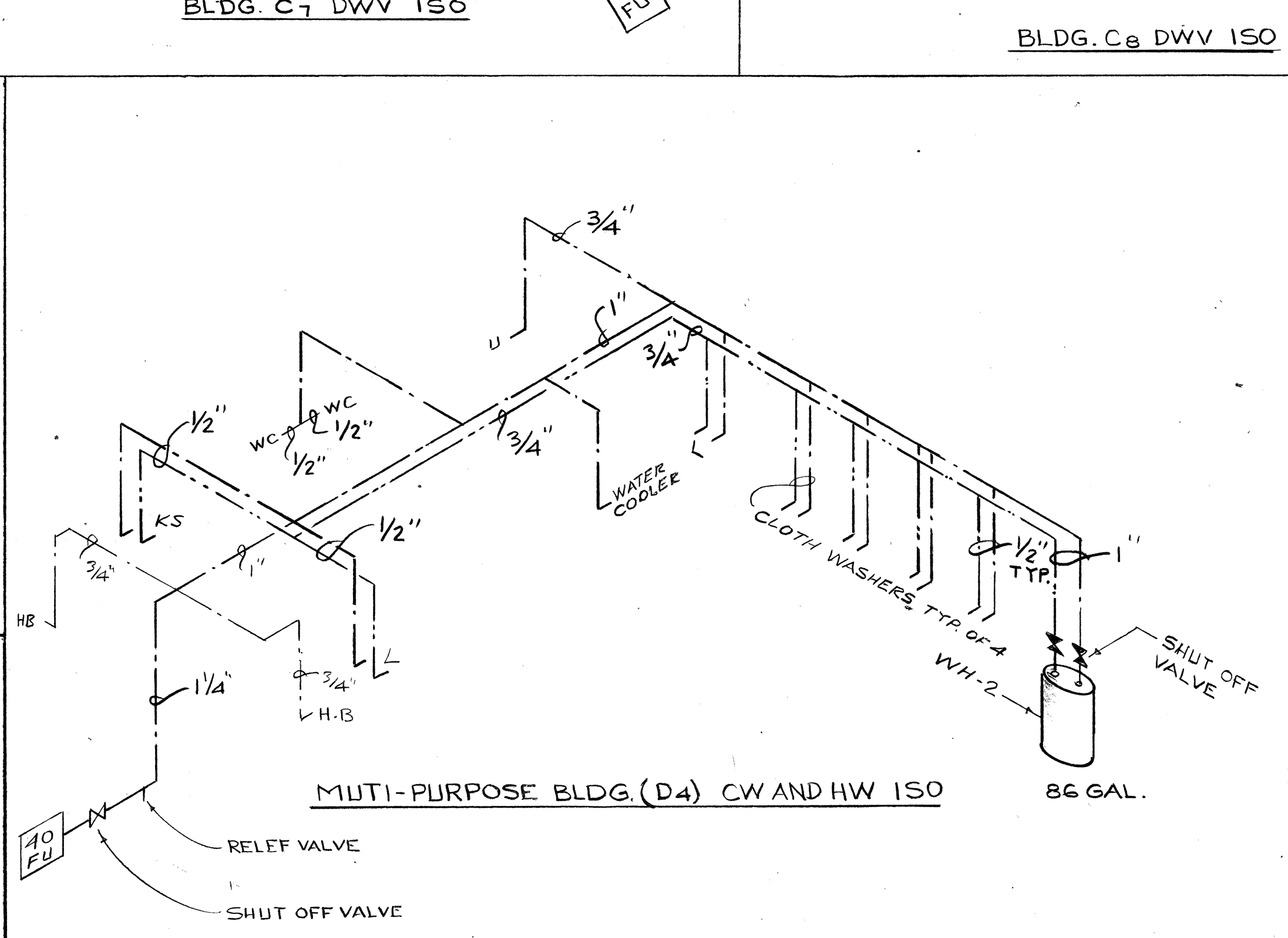
BLDG. C7 DWV ISO



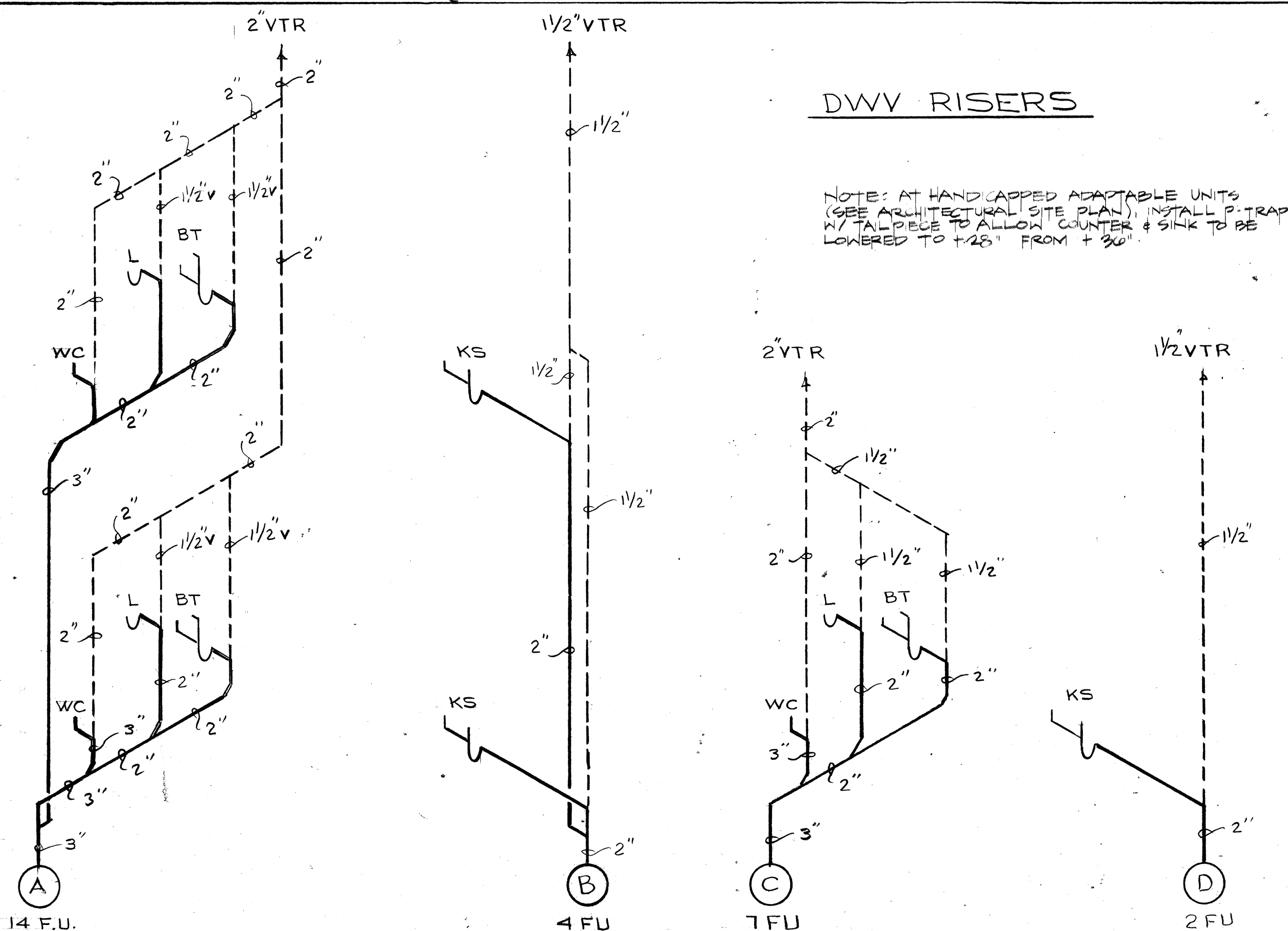
BLDG. C8 DWV ISO



BLDG. D4 DWV ISO

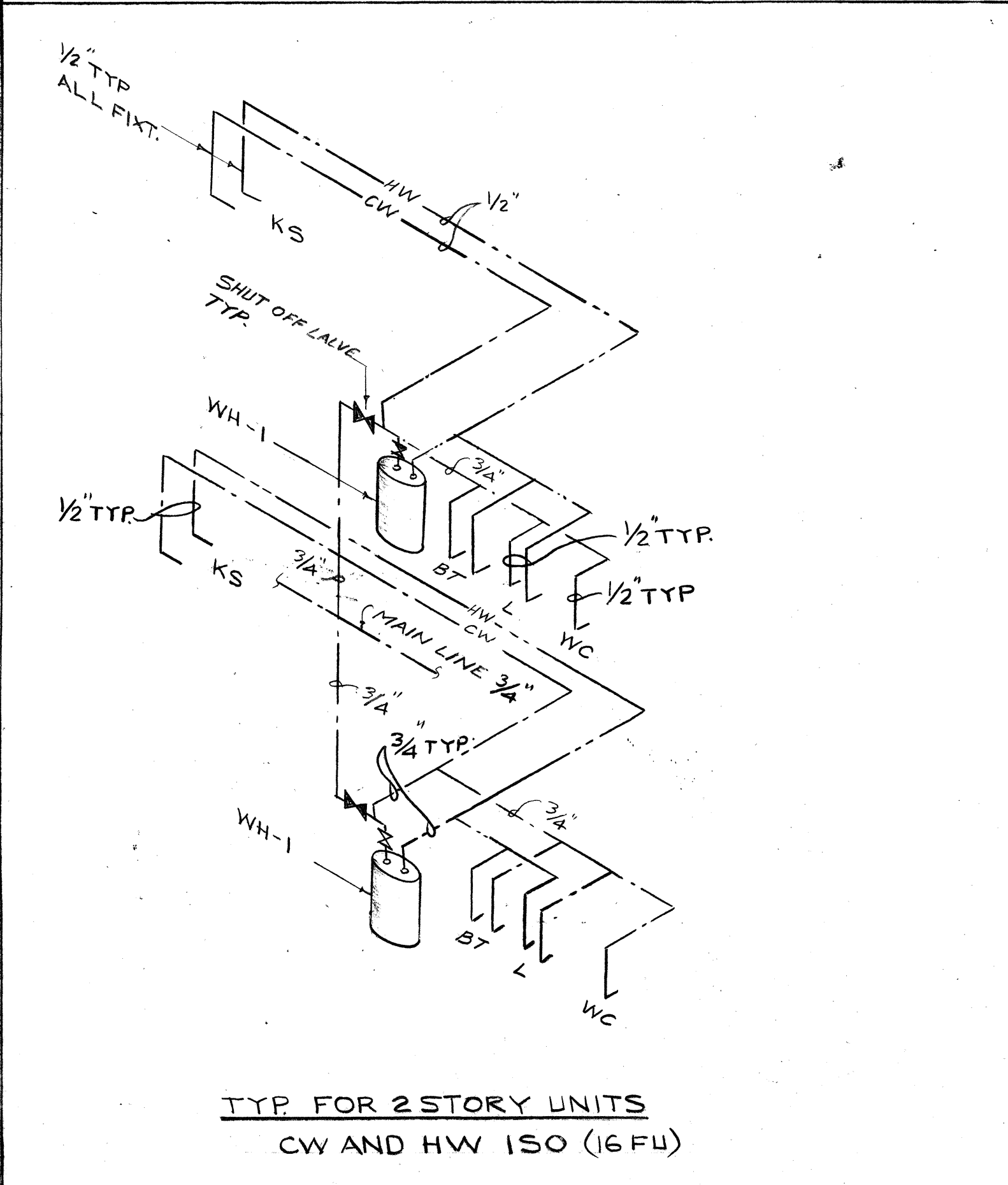


MULTI-PURPOSE BLDG. (D4) CW AND HW ISO

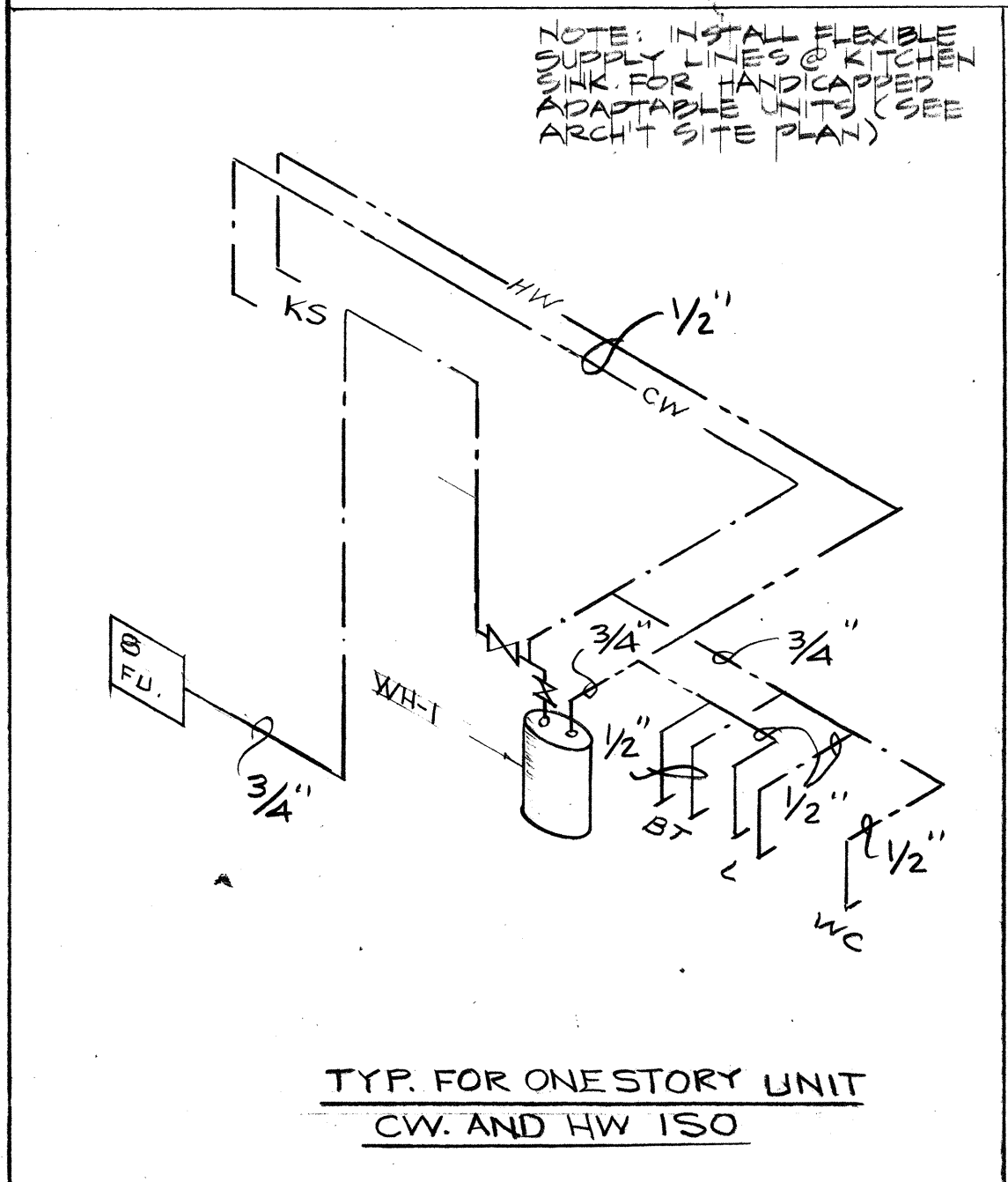


DWV RISERS

NOTE: AT HANDICAPPED ADAPTABLE UNITS (SEE ARCHITECTURAL SITE PLAN), INSTALL P-TRAP W/ TAILPIECE TO ALLOW COUNTER & SINK TO BE LOWERED TO 42" FROM 36"



TYP FOR 2 STORY UNITS CW AND HW ISO (16 FU)



TYP FOR ONE STORY UNIT CW AND HW ISO

REV.	DATE	BY

**BOOTH-GOOD ARCHITECTURE PLANNING**  
 855 S. MILLIKEN AVE., SUITE A  
 ONTARIO, CA 91761 (714) 983-5150

**HOUSING AUTHORITY OF THE COUNTY OF SAN BERNARDINO**  
**YUCAIPA SENIORS HOUSING**  
 6TH STREET, YUCAIPA, CALIFORNIA

SHEET TITLE  
 PLUMBING  
 DIAGRAMS

SCALE -  
 JOB # MPE 6783 KKD  
 DATE 8-10-89  
 DRAWN V.K.  
 CHECKED K.S.L.  
 SHEET #  
**M5**  
 OF 5