

LOAD SHEET REPORT

06/16/08 15:04:31

WORK ORDER: 603225 ORDER CODE: 1.4
 WATERMAN GARDENS HEADSTRT
 472 CRESTVIEW
 SAN BERNARDINO CA 92410

CIA: no W.O. PAGE: 1

2-5 (6)

CUST #: 9214D02

ORDER DATE
 06/16/08

DUE DATE
 06/30/08

PROMISE DATE
 06/30/08

SHIPVIA
 MIR. TRK

QUANTITY ITEM/COMPONENT DESCRIPTION WEIGHT

QUANTITY	ITEM/COMPONENT	DESCRIPTION	WEIGHT
1	714260	KIDS' CHOICE PLAYHOUSE	795.00
4	714571	POST 5" OD X 106" FOR ROOF GROUND	
4	713561HG	POST 5"OD X 106" FOR ROOF (GROUND	
2	7147157B	PANEL REST STOP	
2	987557DYD	PANEL ASSY, REST STOP PANEL DK	
4	982501LM	RUNG BRACKET ASSY PANEL LM	
2	982628	PARTS CARTON BEL DK PANELS	
8	990966HG	5" OD KC VERSALOK CLAMP COMPLETE	
8	990967HG	KC BAR SOCKET COMPLETE HUN	
1	7147158B	TOT TABLE W/LEG	
1	988259DYD	TABLE TOP - TOT TABLE DYD	
1	988262LM	LEG PAINTED - TOT TABLE LM	
1	988296	PARTS CARTON - 7147158B TOT TABLE	
2	7147159B	PANEL ENTRY PARTITION (ONE PAIR)	
4	988211DYD	ENTRY PARTITION PANEL DYD	
2	988316LM	RH MOUNTING BRACKET - PARTITION P	
2	988317LM	LH MOUNTING BRACKET - PARTITION P	
4	988295	PARTS CARTON - 7147159B ENTRY PAR	
4	990986HG	KC BAR SOCKET W/HOLE COMPLETE HG	
1	7148614	ROOF SQUARE DECK	
1	112588DB	ROOF-60" SQUARE LOKVILLE Dar	
4	981100HG	WELD ASSY ROOF ATTACHING P HUN	
1	981108	PARTS CARTON 4 POSTR ROOF	
1	714555	POST 5"OD X 76" FOR FENCING & PANELS	50.0
1	713555HG	POST (W/CAP) ASSY 5" O.D. X 76" HU	10.0
1	714796P1	BELL (POST MOUNT)	
1	990966HG	5" OD KC VERSALOK CLAMP COMPLETE H	
1	990986HG	KC BAR SOCKET W/HOLE COMPLETE HG	

CONTINUED

LOAD SHEET REPORT

W.O. PAGE: 2

WORK ORDER: 603225

WATERMAN GARDENS HEADSTR
 472 CRESTVIEW
 SAN BERNARDINO CA 92410

CUST #: 9214D02

ORDER DATE
 06/16/08

DUE DATE
 06/30/08

PROMISE DATE
 06/30/08

SHIPVIA
 MIR. TRK

QUANTITY	ITEM	COMPONENT	DESCRIPTION	WEIGHT
1		991824LM	PARTS CARTON 714 & 718-796-P1	
1		714900P1	STEERING WHEEL (POST MOUNT)	6.00
1		990966HG	5" OD KC VERSALOK CLAMP COMPLETE H	
1		990968HG	5" OD KC HEADER SUPPORT COMPLETE H	
1		991814LM	PARTS CARTON 714 & 718-900-P1 LM	
1		714994	FUN FONES GROUND TO GROUND	75.00
2		984044LM	MAIN SUPPT WLDMNT FUN FONE Lem	
1		982668	2" POLYETHYLENE PIPE X 50'	
1		982687	PARTS CARTON 432	
2		990966HG	5" OD KC VERSALOK CLAMP COMPLETE H	
2		990967HG	KC BAR SOCKET COMPLETE HUN	
4		7185029	DECK SQUARE ATTACHES TO 4 POSTS MT II	400.00
4		988130BL	TC- SQUARE DECK	
4		982073	PARTS CARTON 718502	
16		982077HG	(4) 1/2 CLAMPS W/HRDWARE TC HG	
1		718511189	DECK SPLIT W/18" RISER & ARCH ENTRY	240.00
1		990008HG	PARTS CARTON 718511 HUN	
2		989959BL	SPLIT DECK - TC Blu	
7		982077HG	(4) 1/2 CLAMPS W/HRDWARE TC HG	
1		989980LM	18" RISER ASSEMBLY Lem	
1		989969LM	ARCH ENCLOSURE Lem	
18		718552	POST 3-1/2"OD X 130" 3'-5' DECKS	720.00
18		981926HG	POST (W/CAP) ASSY-3 1/2 OD X 130" T	

CONTINUED

LOAD SHEET REPORT

WORK ORDER: 603225 ORDER CODE: 1.4

CIA: no W.O. PAGE: 3

WATERMAN GARDENS HEADSTRT
472 CRESTVIEW
SAN BERNARDINO CA 92410

CUST #:9214D02

ORDER DATE
06/16/08

DUE DATE
06/30/08

PROMISE DATE
06/30/08

SHIPVIA
MIR. TRK

QUANTITY	ITEM/COMPONENT	DESCRIPTION	WEIGHT
1	718700	SLIDE SIDE-BY-SIDE W/CANOPY 3' DECK	150.00
1	112590RD	SLIDE DOUBLE WIDE 3' DECK RED	
1	978930LM	SLIDE LEG FRONT SKI SLIDE LM	
1	988358LM	TOP RAIL-TC CANOPY Lem	
1	989873HG	PARTS CARTON 718-700 AND 718-874 H	
1	989723RD	CANOPY-WIDE SLIDE TC, W/FILL BLOCK	
1	7187152	PANEL FINGER MAZE	50.00
1	982418DYD	PANEL ROUTERED FINGER MAZE DYD	
1	982654HG	PARTS CARTON PANELS	HG
1	982664LM	RUNG BRACKET ASSY PANEL LM	
1	718716	PANEL VIEW GROOVE	45.00
1	982078HG	PARTS CARTON 718816	HG
1	982198RD	VIEW GROOVE PANEL ASSY TC RD	
1	71874849	SLIDE TYPHOON II 6'2" 360 DEG 4' DK MTII	1500.00
1	986555S	TYPHOON II SLIDE ASSY (360 DEGREE)	
		TYPHOON II SLIDE 164"POLE RD	
		CYCLONE PLATFORM ROCKITE HG	
		PLUG ROCKITE 4" HG	
		WASHER 3/8 X 1 O.D. FLAT 18-	
		WASHER 1/2 FLAT 18-8 SS MS-8	
		PLUG ROCKITE 2 1/2" RD	
		NUT 3/8-16 HEX 18-8 SS CADMI	
		BACK-UP FLANGE - ZINC PLATED	
		BOLT 3/8-16 X 2 HHCS 18-8 SS	
		BOLT 1/2 X 1 1/4 BHCS 18-8 S	

CONTINUED

LOAD SHEET REPORT

WORK ORDER: 603225
 WATERMAN GARDENS HEADSTRT
 472 CRESTVIEW
 SAN BERNARDINO CA 92410

CUST #: 9214D02

ORDER DATE
 06/16/08

DUE DATE
 06/30/08

PROMISE DATE
 06/30/08

SHIPVIA
 MIR. TRK

QUANTITY	ITEM	COMPONENT	DESCRIPTION	WEIGHT
1		850184LM	BACK-UP FLANGE CYCLONE SLIDE	
2		983589LM	BOLT 1/2-13 X 1 BHCS 6 LOBE	
1		984130LM	BOLT 3/8-16 X 2 1/2 HHCS 18-	
1		984133LM	BOLT 1/4-20 X 1 1/2 SET SCRW	
1		980892HG	WASHER 1/4 X 15mm SEAL-NEO.B	
1		985505HG	NUT 1/4-20 HEX 18-8 SS	
1		987188BL	TYPHOON COLOR CANOPY LM	
1		984135LM	DECK ENCLOSURE 718-885-10 Lem	
2		990964HG	STAIR ENCLOSURE RH, TYPHOON 4' DEC	
			STAIR ENCLOSURE LH, TYPHOON 4' DEC	
			PARTS CARTON (2) 4" PLUGS HG	
			PARTS CARTON 718-749-5 HG	
			STAIRS, TYPHOON SLIDE 4FT DK FPS B	
			TYPHOON SLIDE LEG LM	
			3.5" OD TC VERSALOK CLAMP COMPLETE	130.00
1		7187554E	CLIMBER HONEYCOMB W/ARCH 4' DECK	
4		112719RD	POLYTUFF HONEY COMB Red	
1		720029LM	RUNG HONEY COMB TOP LM	
3		720033LM	MID-RUNG HONEY COMB LM	
1		987280BL	HONEYCOMB BRACKET ASSY, PVC COATED	
1		990722LM	ARCH ENCLOSURE ASSY LM	
2		984315LM	HANDHOLD W/INSERT, 4' DECK, TC, PT	
1		991948LM	PARTS CARTON, 7187554 LM	
2		991899HG	3.5"OD BAR SOCKET COMPLETE FOR 1" T	
1		718757 34 34	CLIMBING WALL SLOPED 4' 6 DECK, TC	200.00
1		982092LM	LOOP ENCLOSURE-TOT'S CHOICE LM	
1		989003BL	FILL BLOCK - SLOPED ROCK CLIMBER,	
1		989007LM	FRAME ASSEMBLY - SLOPED CLIMBING W	
1		987950	TOP PANEL ASSEMBLY - CLIMBING WALL	

CONTINUED

LOAD SHEET REPORT

W.O. PAGE: 5

WORK ORDER: 603225

WATERMAN GARDENS HEADSTRT
472 CRESTVIEW
SAN BERNARDINO CA 92410

CUST #: 9214D02

ORDER DATE	DUE DATE	PROMISE DATE	SHIPVIA
06/16/08	06/30/08	06/30/08	MIR. TRK

QUANTITY	ITEM	COMPONENT	DESCRIPTION	WEIGHT
1		987519	MIDDLE PANEL ASSY - ROCK CLIMBER	
1		989004HG	PARTS CARTON - 71875725 HG	
1	71877431		BONGO STEPS TO 3' DECK W/HAND SUPPORTS	130.00
1		986041RD	STEPPING POD Red	
1		989913LM	LOOP ENCLOSURE TC Lem	
1		990037HG	PARTS CARTON 71877431 HG	
3		986498	PARTS CARTON-HONEYCOMB POD	
2		989917LM	HAND SUPPORT W/INSERT Lem	
1		986041RD	STEPPING POD Red	
1		986041RD	STEPPING POD Red	
1		992014LM	POST ASSY F/27"-30" BONGO PERCH Le	
1		992020LM	POST ASSY F/18" BONGO PERCH Lem	
1		992016LM	POST ASSY F/9"-12" BONGO PERCH Lem	
1	71881059		STAIR BTWN DKS ADA 1' RISE OPN HRL MT II	100.00
1		988144BL	TC - 1 STEP FPS BL	
1		982279HG	PARTS CARTON 718-810 HG	
2		982519LM	HANDRAIL 718-810 Lem	
1		982546LM	PARTS CARTON STAIR CASTINGS	LM
1	7188153		LADDER VERTICAL 3' DECK	30.00
1		990663LM	ARCH ENCLOSURE ASSY, CLIMBER LM	
1		713164LM	LADDER ASSY, 3' VERTICAL LM	
1		982439HG	PARTS CARTON 718-815	HG
1	7188440 A		VERTICAL CARGO CLIMBER (A ' DECK)	70.00
3		713009	PARTS CARTON PANELS	
1		990722LM	ARCH ENCLOSURE ASSY LM	

CONTINUED

LOAD SHEET REPORT

WORK ORDER: 603225
 WATERMAN GARDENS HEADSTRT
 472 CRESTVIEW
 SAN BERNARDINO CA 92410

CUST #: 9214D02

ORDER DATE
 06/16/08

DUE DATE
 06/30/08

PROMISE DATE
 06/30/08

SHIPVIA
 MIR. TRK

QUANTITY	ITEM	COMPONENT	DESCRIPTION	WEIGHT
2		990951HG	3.5" OD TC BAR SOCKET 1.315"OD PIP	
1		992915BL	CHAIN ASSY-3' DECK VERT.CARGO CLMB	
1		992900LM	ANCHOR TUBE, VERTICAL CARGO CLIMBE	
1		718851359	TRANSFER POINT SQUARE W/OPN HDRL 3' DECK	200.00
1		715264LM	RUNG LEG Lem	
2		990133LM	DECK ENCLOSURE-TC TRANSFER POINT L	
1		990052LM	TRANSFER STEP HANDRAIL LM	
1		990057BL	PVC DECK-TRANSFER POINT BL	
1		990465BL	PVC STAIR-3' SQUARE TRANSFER POINT	
1		990129LM	HANDRAIL-STAIR/DECK 3' TRANSFER PO	
1		990128LM	HANDRAIL-STAIR 3' TRANSFER POINT L	
1		990130HG	PARTS CARTON-TC SQ. TRANSFER POINT	
1		987145BL	STEP, KC TP BTM FPS BL	
2		114955LM	HANDRAIL EXTENSION-SWAGED 51 1/4"	
1		990051LM	HANDRAIL-TRANS DECK, SQ.TRANS.PNT.	
1		7188559	BRIDGE 6' SUSP DK CLSD HRL MT II	450.00
2		986755LM	SUSPENSION BRIDGE SPOKED BARRIER T	
1		986603HG	PARTS CARTON 718-855 HG	
2		988155BL	FILL BLOCK-SUSPENSION BRIDGE TC BL	
6		988827BL	BRIDGE, SUSPENSION BOARD TC FPS CT	
1		718905	LADDER HORIZONTAL "L" W/END CLIMBER	120.00
2		718552	POST 3-1/2"OD X 130 3'-5' DECKS	
2		981926HG	POST (W/CAP) ASSY-3 1/2 OD X 130"	
1		7188135	DECK ENCLOSURE F/OH CLIMBR	
1		990930HG	PARTS CARTON 718816	
1		982602LM	DECK ENCLOSURE-OH CLIMBERS LM	
1		7188155	END LADDER FOR OH CLIMBERS	

CONTINUED

LOAD SHEET REPORT

W.O. PAGE: 7

WORK ORDER: 603225

WATERMAN GARDENS HEADSTRT
472 CRESTVIEW
SAN BERNARDINO CA 92410

CUST #: 9214D02

ORDER DATE
06/16/08

DUE DATE
06/30/08

PROMISE DATE
06/30/08

SHIPVIA
MIR. TRK

QUANTITY	ITEM	COMPONENT	DESCRIPTION	WEIGHT
1	1	982077HG	(4) 1/2 CLAMPS W/HRDWARE TC HG	
	1	982350HG	PARTS CARTON 718-843	HG
	1	982383LM	END CLIMBER-OH CLIMBERS LM	
1		7189145	LADDER HORIZONTAL "L" ONLY	
	2	982077HG	(4) 1/2 CLAMPS W/HRDWARE TC HG	
	1	982366LM	"L" HORIZONTAL LADDER TC LM	
	1	982994HG	PARTS CARTON OH CLIMBERS TC	HG
1		718908	CLIMBER SPIDER 3, 5' OR 6' DECK	60.00
	1	990660LM	ARCH ENCLOSURE ASSY, CLIMBER LM	
	1	713150LM	CLIMBER ASSY, SPIDER Lem	
	1	982498HG	PARTS CARTON 718-908	HG
1		7189173	CLIMBER CURVED TENSILE 3' DECK	100.00
	1	989880LM	WELDMENT: HANDRAIL ASM - 3' DECK;	
	1	989929HG	PARTS CARTON - 7189173 HUN	
	1	982092LM	LOOP ENCLOSURE-TOT'S CHOICE LM	
	1	990041HG	PARTS CARTON - 7149173, 7189173 (T)	
1		718961R1	DELIGHT-O-SCOPE TELESCOPE TC ROTO MOUNT	20.00
	1	989961RD	ASSEMBLY TELESCOPE TC STEEL&ROCKIT	
	1	989717RD	PARTS CARTON - ROTO MT DLITE-O-SCO	
1		718999	INSTALLATION KIT TC	0.00
	1	999001	CUSTOMER ENVELOPE (BLUE) (MAILED)	
	1	999002	INSTALLER ENVELOPE (RED)	
	1	999005RD	PART BAG-I.D.LABELS & PLUGS	RD
	1	999006HG	TOUCH UP PAINT-POST	HG
	1	999007LM	TOUCH UP PAINT-ACCENT	LM

CONTINUED

LOAD SHEET REPORT

WORK ORDER: 603225

W.O. PAGE: 8

WATERMAN GARDENS HEADSTRT
 472 CRESTVIEW
 SAN BERNARDINO CA 92410

CUST #:9214D02

ORDER DATE	DUE DATE	PROMISE DATE	SHIPVIA
06/16/08	06/30/08	06/30/08	MIR. TRK

QUANTITY	ITEM	COMPONENT	DESCRIPTION	WEIGHT
1		999019	PART BAG-CUSTOMER SERVICE KIT TC	
1		999015	WHITE BOX-INSTALLATION KIT	
2		990950HG	PRT CRTN-TC BAR SOCKET 1.000" OD T	
1		INSTALL	CONTRACT INSTALLATION	0.00

TOTAL ORDER WEIGHT
 5,651.00

1 704-772-1 LM RD

NET/BARREL/POST HUNTER GREEN; CANOPY/
 ACCENTS LEMON; PANELS BLUE/YELLOW/BLUE;
 ROCKITE RED; PVC/ROOF BLUE

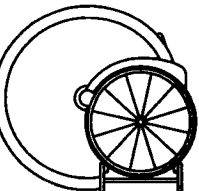
Mark For:
 DRIVER MUST CALL 24 HOURS BEFORE DELIVER
 CANDICE POWERS 714-666-0203

26' x 62'
48' x 41'

7 TELEPHONE-D-SCOPE
TELESCOPE
718-961-R
HONEYCOMB
CLIMBER 4'
718-755-4

CURVED
TENSILE CLIMBER
718-917-3

6-205-81L
NEW GROOVE
718-716



4' DECK
718-502-9

SPIDER CLIMBER
718-908

SLOPED CARGO CLIMBER
718-844-4

718-810-59
TIA STEP

3' DECK
718-502-9

718-757-34

ALL POSTS
552 / 18

CD 158597

SIDE-BY-SIDE
SLIDE
718-700

718-815-3
VERTICAL LADDER

3' DECK
718-502-9

ARCH BRIDGE
718-970-9

4' DECK
718-189

FINGER MAZE PANEL POD
718-715-204-772-1

SPIDER CLIMBER
718-908

BONGO PERCH
120 500" POD
704 172-1

POSTS
718-917-3

ENCL
718-917-3

718-917-3

SQUARE TRANSFER
POINT. 3' DECK
718-851-359

ENCL

INSTALLATION INSTRUCTIONS TOP VIEW & FOOTING LAYOUT

PAGE
1 OF 5

WATERMAN GARDENS HEADSTART

SAN BERNARDINO, CA

DRAWING NUMBER:
603225

WORK ORDER NUMBER(S):
603225

DATE:
6/20/08
K. SPENCE

IMPORTANT SAFETY NOTE:

IT IS THE RESPONSIBILITY OF THE PLAYGROUND OWNER/
OPERATOR TO ENSURE THAT THE APPROPRIATE TYPE AND DEPTH
OF CUSHIONING MATERIAL (PROTECTIVE SURFACING) IS USED.
THE CUSHIONING MATERIAL MUST BE INSTALLED AND MAINTAINED
IN THE "USE ZONE" AREA UNDER AND ALL AROUND THE
PLAYGROUND EQUIPMENT. FOR COMPLETE SURFACING AND USE
ZONE INFORMATION PLEASE REFER TO THE U.S. CONSUMER
PRODUCT SAFETY COMMISSION'S (CPSC) "HANDBOOK FOR PUBLIC
PLAYGROUND SAFETY" SECTION 4 (SURFACING), SECTION 5 (USE
ZONES), APPENDIX C AND APPENDIX D.

THIS PLAY SYSTEM FOLLOWS THE RECOMMENDATIONS CONTAINED IN THE
U.S. CONSUMER PRODUCT SAFETY COMMISSION'S "HANDBOOK FOR PUBLIC
PLAYGROUND SAFETY" REGARDING EQUIPMENT DESIGNED FOR:

2 - 5 YEAR OLD CHILDREN

THERE CAN BE LARGE DISPARITIES IN THE ABILITIES OF CHILDREN OF SIMILAR AGES.
PARENTS MUST BE RESPONSIBLE FOR LIMITING THEIR CHILDREN TO THOSE ACTIVITIES
THAT ARE APPROPRIATE AND SAFE FOR THEIR CHILDREN'S INDIVIDUAL ABILITIES.

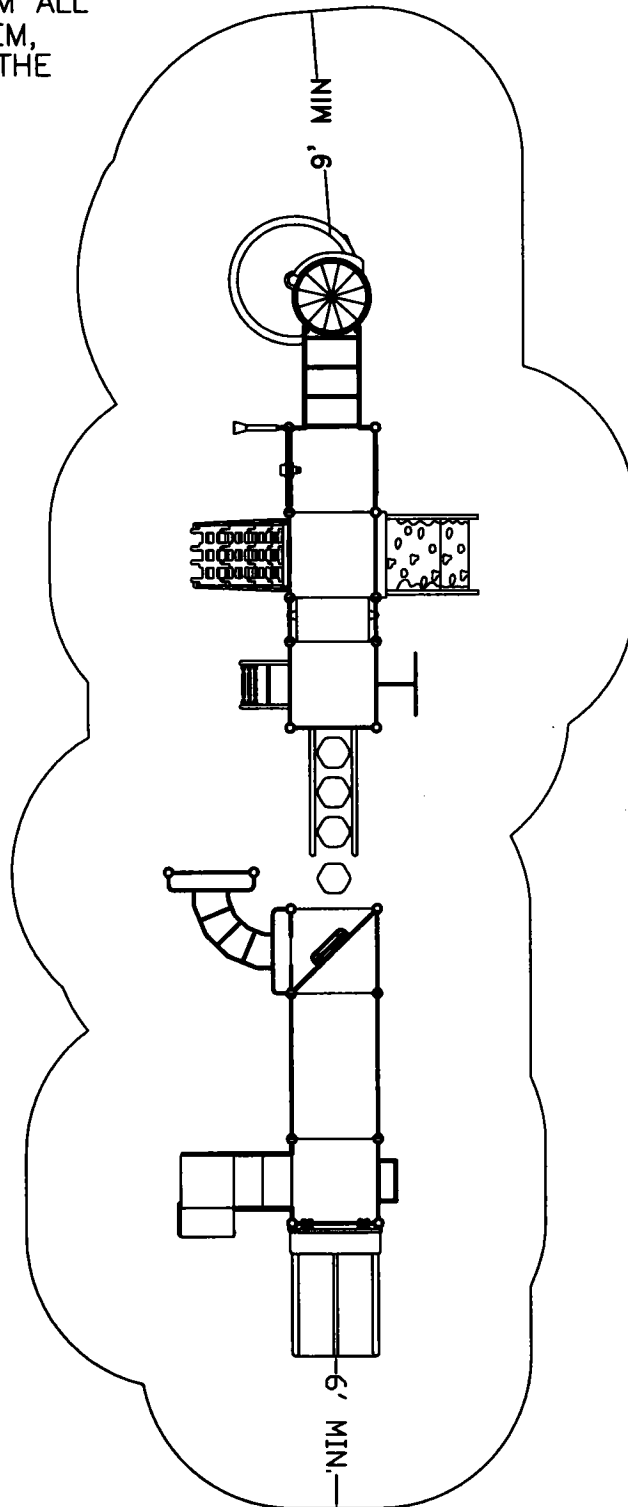
MIRACLE RECREATION EQUIPMENT COMPANY

P.O. BOX 420 HWY 60 & BRIDLE LANE
MONETT, MISSOURI 65708
PHONE: 1-800-523-4202

IMPORTANT NOTE:
THE LINE SHOWN AROUND THIS
PLAYSYSTEM REPRESENTS THE
PERIMETER OF THE MINIMUM
"USE ZONE" REQUIRED. THIS
"USE ZONE" MUST EXTEND AT
LEAST SIX (6) FEET FROM ALL
SIDES OF THE PLAYSYSTEM,
EXCEPT AS SHOWN OFF THE
END OF EACH SLIDE.

USE ZONE
SCALE: 1/8" = 1'-0"

PAGE
2 OF 5



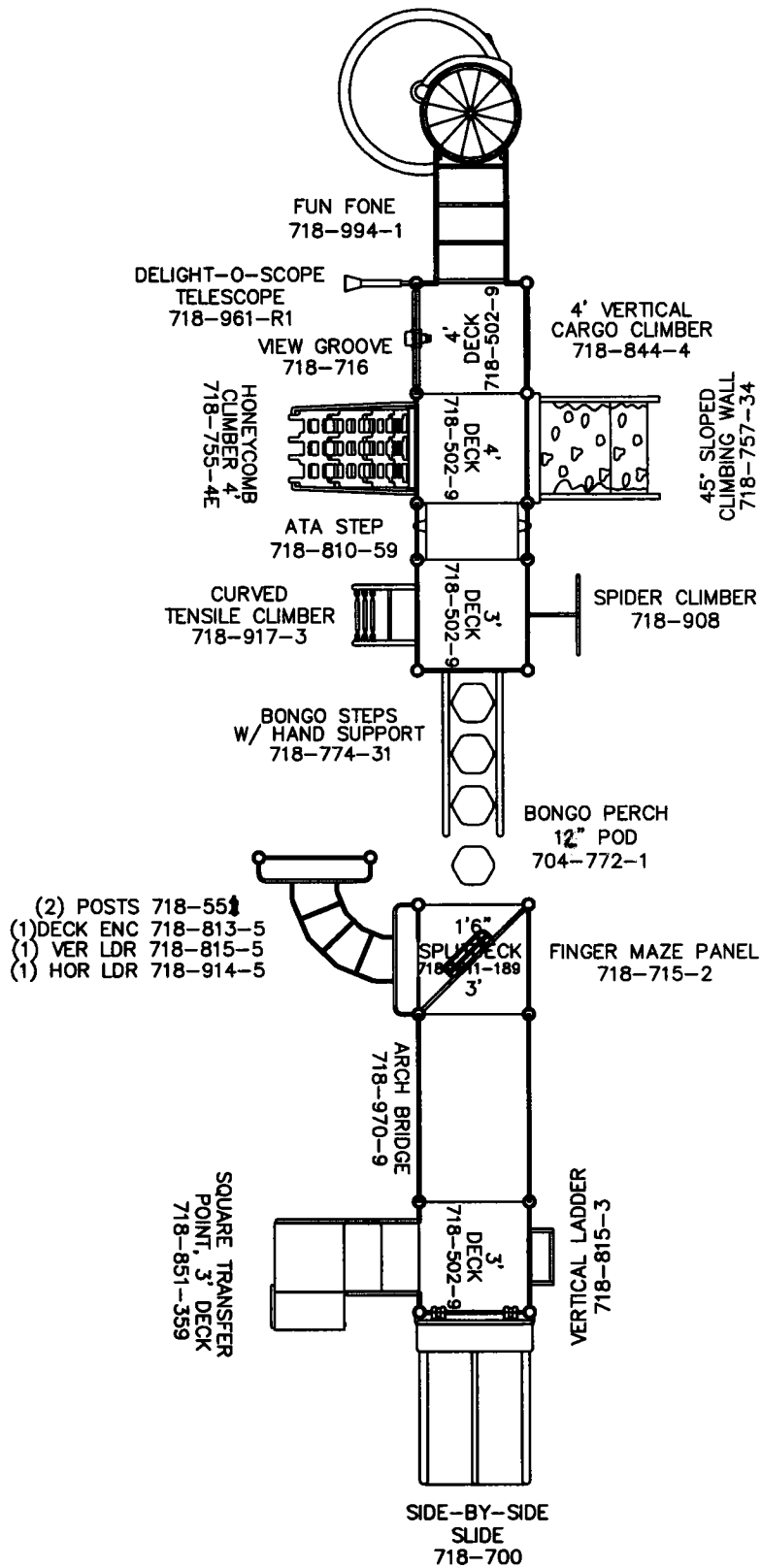
GROUND SPACE: 14' X 48'
PROTECTIVE AREA: 26' X 62'

603225

TOP VIEW

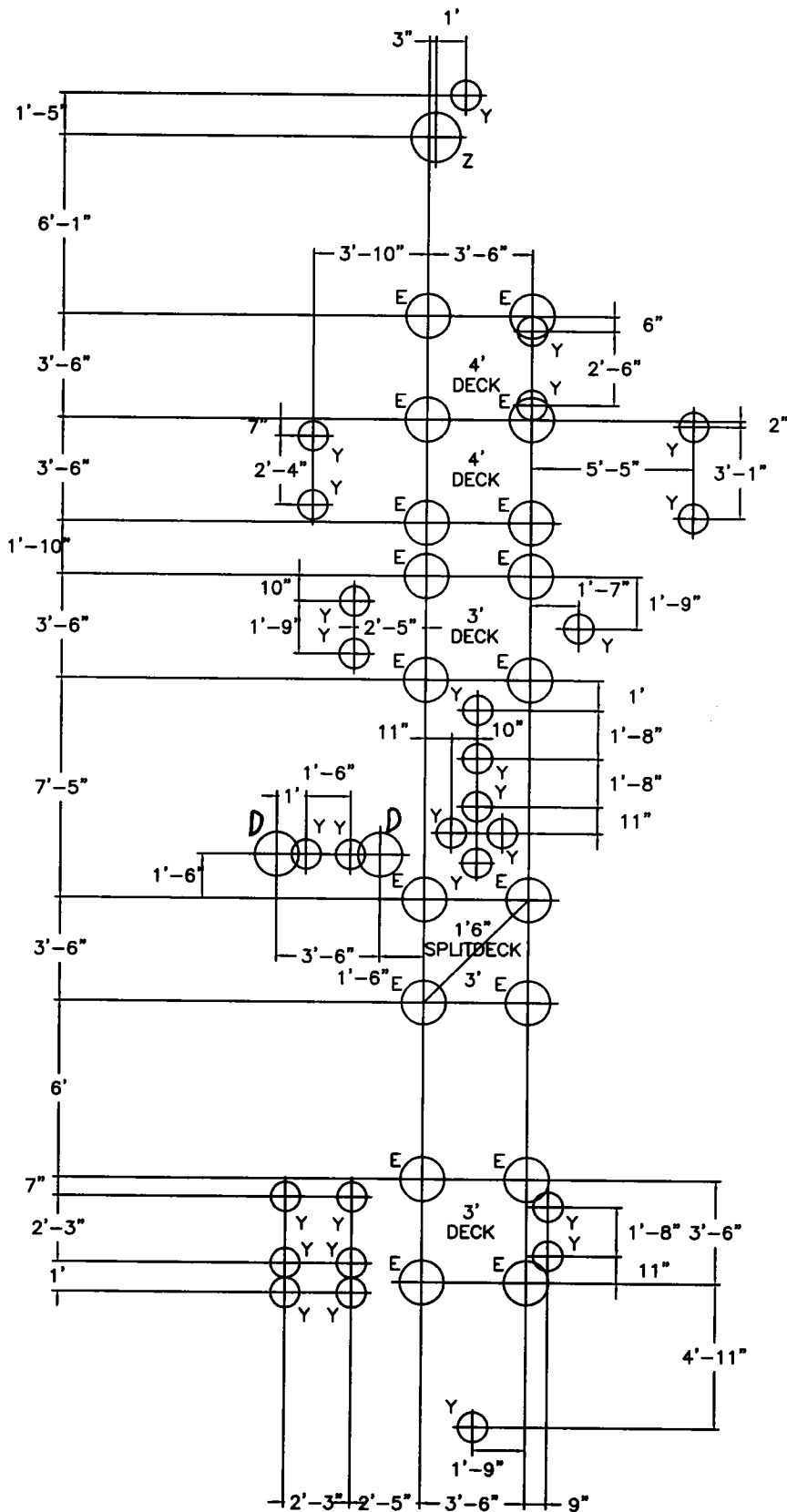
SCALE: 1" = 6'-0"

TYPHOON II
360 ONE PIECE
718-748-49



FOOTING LAYOUT

SCALE: 1" = 6'-0"



IMPORTANT NOTE: DO NOT POUR CONCRETE FOR FOOTINGS UNTIL ALL COMPONENTS ARE INSTALLED.

FOOTING INFORMATION

POST LOCATION:

FOOTING	MODEL	POST LENGTH
A.	718-575	190" POST
B.	718-554	166" POST.
C.	718-576	198" POST.
D.	718-551	100" POST.
E.	718-552	130" POST.
F.	718-553	148" POST.
G.	718-572	138" POST.
H.	718-573	162" POST.
J.	718-574	180" POST.
K.	718-583	151" ARCH.
L.	718-585	175" ARCH.
M.	718-586	193" ARCH.
N.	718-555	70" POST.

FOOTING SCHEDULE:

A-N. 18" DIA. X 18" DEEP.
X. 18" DIA. X 18" DEEP.
Y. 12" DIA. X 18" DEEP.
Z. 20" DIA. X 42" DEEP.

* LOCATIONS DETERMINED ON SITE.

FOOTING NOTES:

1. SOME EQUIPMENT LEGS MAY NOT REACH TO BOTTOM OF FOOTINGS.
2. ALLOW FOR BLOCK THICKNESS BY INCREASING FOOTING DEPTH WHEN APPLICABLE.

DECK & COMPONENT FOOTING DETAIL

SCALE: NONE

